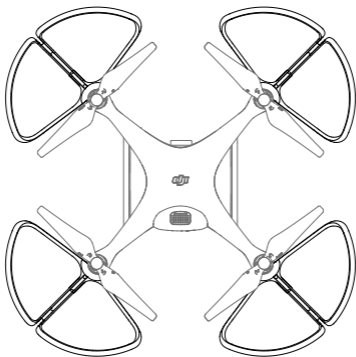


# PHANTOM 4

## Prop Guards Installation Guide



## In the Box

---

Prop Guards x 4



## Specifications

Weight (1pc)	18 g
Angle	163.0°
Radius	136.5 mm
Installed Circumference	624.5 mm

## Installation

Follow the instructions below to install the Phantom 4 Prop Guard.

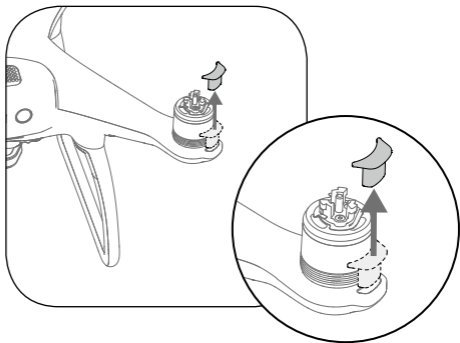


The Obstacle Sensing System is automatically turned off when the Prop Guards are attached. The aircraft will not be able to avoid obstacles during flight.

---

1

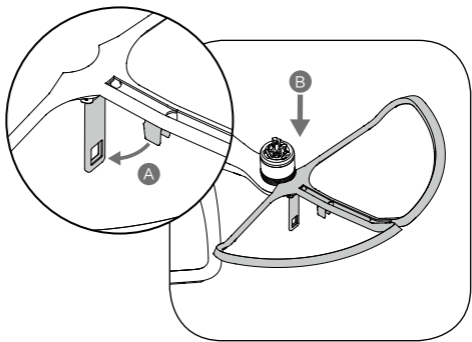
Remove all four plastic stoppers from the Prop Guard mounting holes.



Retain the original plastic stoppers and store them someplace safe for future use.

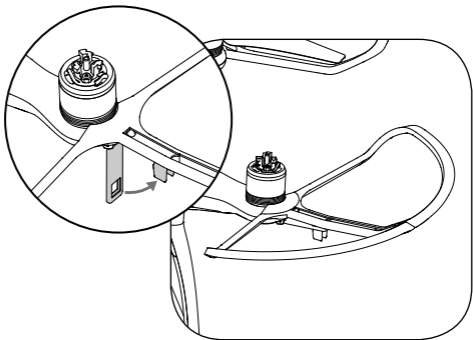
---

- 2 Release the lock arm from its original locked position and insert the arm into the Prop Guard mounting hole.



3

Snap the lock arm back to its original position, making sure it is tightly secured. Repeat step 1 to step 3 to install the remaining Prop Guards.



The content is subject to change.

Download the latest version from  
<http://www.dji.com/product/phantom-4/info#downloads>

If you have any questions about this document, please contact DJI by sending a message to [DocSupport@dji.com](mailto:DocSupport@dji.com).

© 2016 DJI. All Rights Reserved.